



**Supplemental/Bid Bulletin No. 1**  
**January 22, 2021**

**PUBLIC BIDDING No. 21-012-02**

***Supply and Delivery of Various Cleaning Equipment and Supplies***  
***for the Procurement Service (PS)***

Issued pursuant to Sec. 22.5 of the IRR of R.A. 9184 to clarify and/or amend certain provisions in the Bidding Documents issued for this project, considering the issues raised and clarifications made by prospective bidders during the Pre-Bid Conference held on February 15, 2021.

**A. AMENDMENTS/INCLUSIONS**

REFERENCE						BASIS FOR AMENDMENT/ INCLUSIONS	
<b>SECTION I. Invitation to Bid</b>							
<b>The summary of the bidding activities is as follows:</b>						<b>To provide ample time for the bidders to prepare their bids.</b>	
	xxx		xxx				
Last Day of Issuance of Bid Bulletin			<del>22 February 2021</del> 01 March, 2021				
Deadline for submission			<del>01 March 2021; 10:00 A.M.</del> 08 March, 2021; 01:30 P.M.				
Opening of Bids			Immediately after the Deadline of Submission of Bids				
<b>SECTION V. Special Conditions of Contract</b>							
1.	SCC Clause 4 xxx						<b>To include additional requirement.</b>
	Lot No.	Quantity	Item/Description	Additional quantity for every batch of delivery for acceptance test	Testing Center		
	1	42,614 pieces	Mophandle, heavy duty	Two (2) pieces	In-house Testing		
	2	111,166 pieces	Mophead, made of rayon	Two (2) pieces	In-house Testing and <u>Industrial Technology Development Institute (ITDI)</u>		

**Note:**

Confirmatory test will be conducted on the first tranche of delivery. The preceding confirmatory test will be conducted two (2) weeks prior to the 6-month validity of the previous test result.

Supplier shall retribute to the PS all payments otherwise previously made for the deliveries later found to be rampantly defective.

**SECTION VII. Technical Specifications**

2.

Page 40

LOT NO. 1		:	<b>Mophandle, heavy duty</b>
QUANTITY		:	<b>42,614 pieces</b>
APPROVED BUDGET PER <del>PACK</del> <b>PIECE</b>		:	<b>₱ 137.28</b>
APPROVED BUDGET FOR THE CONTRACT		:	<b>₱ 5,850,049.92</b>

xxx

To correct the unit of measurement in the required form.

Please refer to the revised form attached as Annex "A".

3.

Page 41 to 46

Technical Requirements for MOPHANDLE

To amend the drawings in page 43 to 45 of the technical requirements for Mophandle.

Please refer to Annex "B"

4.

Page 47

LOT NO. 2		:	<b>Mophead, made of rayon</b>
QUANTITY		:	<b>111,166 pieces</b>
APPROVED BUDGET PER <del>PACK</del> <b>PIECE</b>		:	<b>₱ 125.00</b>
APPROVED BUDGET FOR THE CONTRACT		:	<b>₱ 13,895,750.00</b>

xxx

To correct the unit of measurement in the required form.

Please refer to the additional requirements attached as Annex "C".

**B. Clarification**

L.M.S. INDUSTRIES <sup>1</sup>			
	Reference	CONCERN	CLARIFICATION/RESOLUTION
1.	<p>Bid Data Sheet Clause 20.2 Requirement No. 7</p> <p>Valid Test Result within two (2) months from the opening of bids, issued by the government laboratory testing center or government accredited private laboratory testing center.</p>	<p>The prospective bidder find it difficult to comply rule no. 7 which require to submit test result within two months before the opening of bids which is schedule on March 01, 2021 Due to limited time to submit approved test results issued by government laboratory testing center or government accredited private laboratory testing center because they are not aware that submission of test results will be amended hence, they rely that test result will be required only after the opening of bids to the bidder who submitted the lowest calculated bids, hence post qualification process.</p> <p>The prospective bidder request to provide ample time to submit approved test result for at least two weeks after the opening of bids.</p>	<p>Please refer to the above amendment.</p>

By Rule, all other related provisions in the Bidding Documents correspondingly affected by these amendments are likewise deemed amended to conform to this Bid Bulletin.

Amendments made herein shall be considered an integral part of the Bidding Documents.

**SGD**  
**PAUL JASPER V. DE GUZMAN**  
*Chairperson, PS BAC II*

*For the purpose of this Bulletin and for better understanding of its contents, the following rules shall apply: (a) Double Strike out – denotes deletion; (b) Underline – denotes inclusion or new item/requirement; and "xxx" – denotes separation of phrase/s being amended from the rest of the main text.*

---

<sup>1</sup> *Email letter dated February 18, 2021*

ANNEX "A"

LOT NO. 1	:	<b>Mophandle, heavy duty</b>
QUANTITY	:	<b>42,614 pieces</b>
APPROVED BUDGET PER PIECE	:	<b>₱ 137.28</b>
APPROVED BUDGET FOR THE CONTRACT	:	<b>₱ 5,850,049.92</b>

AGENCY SPECIFICATIONS	BIDDER'S STATEMENT OF COMPLIANCE <sup>1</sup>
<p><b>Mophandle, heavy duty</b></p> <p>Conforms to the attached Technical Specifications            PS STANDARD NO. JS 013:2016            UNSPSC Code No. 47131613-MP-H02            Dated: 11 September 2019</p> <p>*For Packaging and Marking/Labeling Requirements based from TSRC Resolution No. 19-005 dated November 20, 2019. Please see attached Annexes and in reference to Consumer Act RA 7394 Article 77 and 119</p>	<p><b>Brand:</b></p>

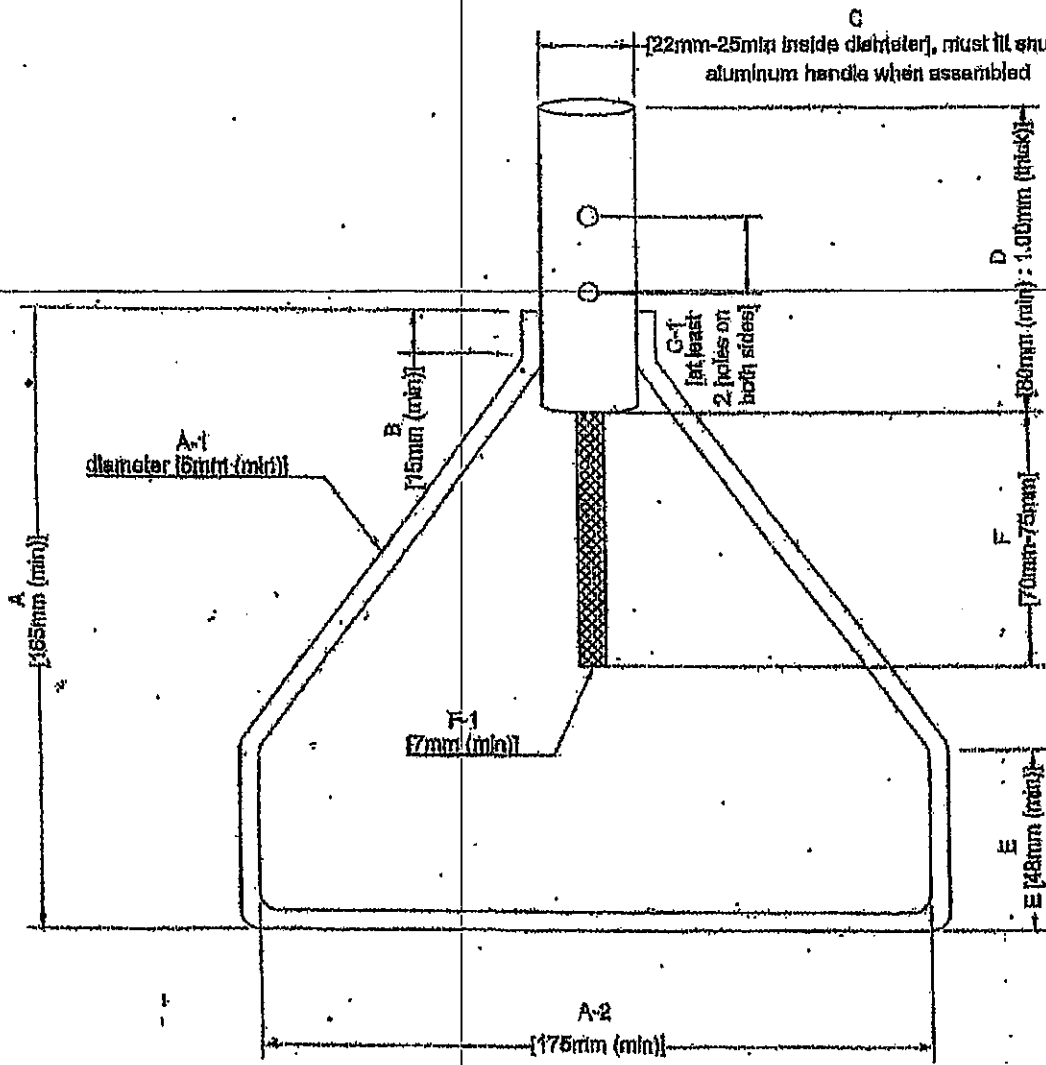
We commit to deliver the goods under the new packaging and consistent with the physical appearance and color of the sample submitted as required by the Procurement Service.

**I hereby certify that the statement of compliance to the foregoing technical specifications are true and correct, otherwise, if found to be false either during bid evaluation or post-qualification, the same shall give rise to automatic disqualification of our bid.**

Name of Company	Signature Over Printed Name of Authorized Representative	Date

<sup>1</sup> Bidders must state here either "Comply" or "Not Comply" against each of the individual parameters of each Specification stating the corresponding performance parameter of the equipment offered. Statements of "Comply" or "Not Comply" must be supported by evidence in a Bidders Bid and cross-referenced to that evidence. Evidence shall be in the form of manufacturer's un-amended sales literature, unconditional statements of specification and compliance issued by the manufacturer, samples, independent test data etc., as appropriate. A statement that is not supported by evidence or is subsequently found to be contradicted by the evidence presented will render the Bid under evaluation liable for rejection. A statement either in the Bidder's statement of compliance or the supporting evidence that is found to be false either during Bid evaluation, post-qualification or the execution of the Contract may be regarded as fraudulent and render the Bidder or supplier liable for prosecution subject to the applicable laws and issuances.

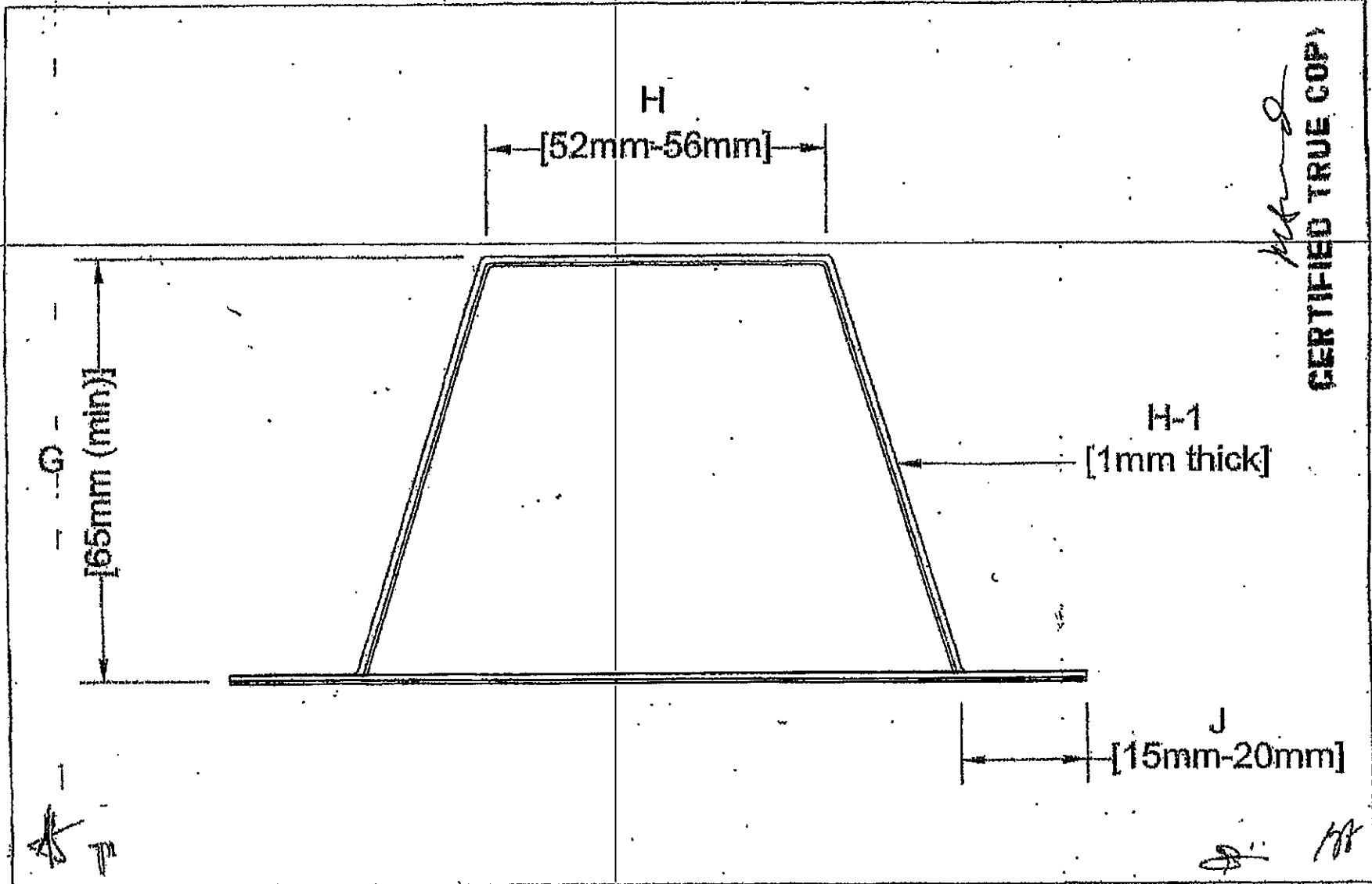
76



*Handwritten signature*  
 CERTIFIED TRUE COPY

REVISIONS	APPROVER	PROJECT TITLE	ALBERT COUNTY	OWNER	Drawn by:	DATE	APPROVA
		MOPHANDLE STEEL FRAME		PO - PHIL GERS	Only:		
					Checked by:	JAZZ	3-1
					DATE:		

*Handwritten notes:*  
 76  
 [Handwritten marks]



*Handwritten signature*  
**CERTIFIED TRUE COPY**

Date Approved: \_\_\_\_\_  
 Item: *Handwritten*

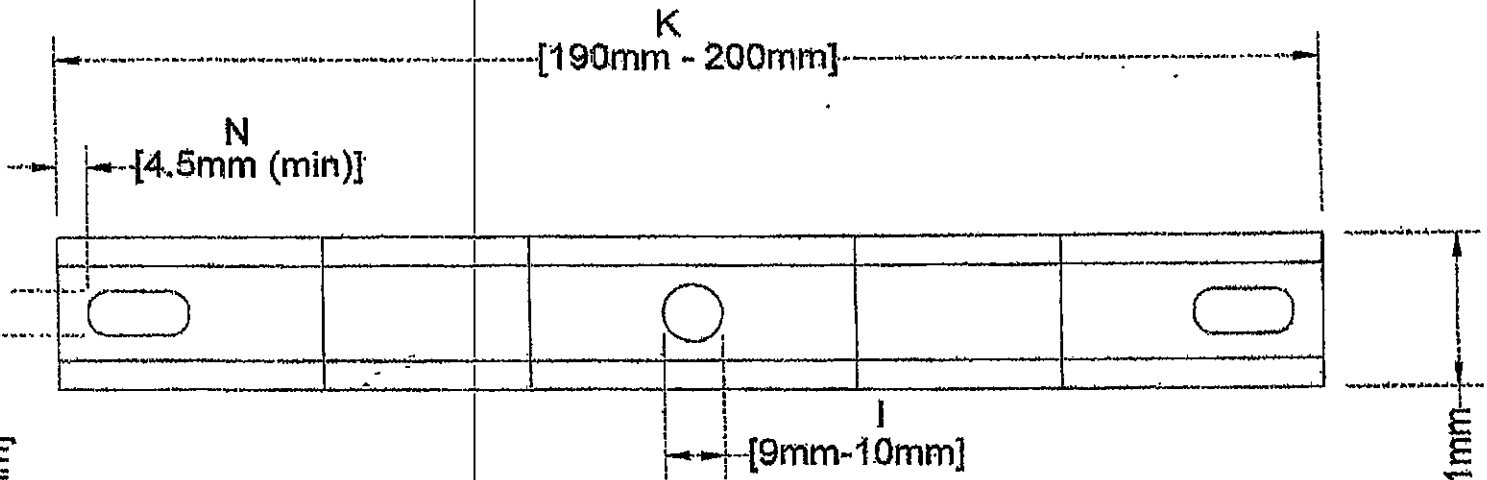
SIGNATURE		PROJECT TITLE		DRAWING NUMBER		DRAWN		DATE	REVISION
<i>Handwritten signature</i>		MCPHEID CLIPPER BRACKET				PS - PHILIPPS		3-2	

CERTIFIED TRUE COPY

*Handwritten signature*

M

[LxW 15-16mm x  
5.5-7mm]



L

[24mm (min) : 1mm  
(thickness-min)]

*Handwritten signature*

ENGINEER <small>By making this drawing or any part thereof, the user agrees to the terms and conditions of the license agreement located at the end of this drawing.</small>	PROJECT TITLE <b>MOP HEAD CLIPPER</b>	SHEET CONTENT 	OWNER <b>PS - PHILGEPS</b>	Drawn by: <b>MMD</b> Date: Checked by: <b>MMD</b> Date:	SHEET NO. <b>3-3</b>
---	--	-------------------	-------------------------------	--	-------------------------

**ANNEX "C"**

LOT NO. 2	:	<b>Mophead, made of rayon</b>
QUANTITY	:	<b>111,166 pieces</b>
APPROVED BUDGET PER PIÈCE	:	<b>₱ 125.00</b>
APPROVED BUDGET FOR THE CONTRACT	:	<b>₱ 13,895,750.00</b>

AGENCY SPECIFICATIONS	BIDDER'S STATEMENT OF COMPLIANCE <sup>1</sup>
<p><b>Mophead, made of rayon</b></p> <p>Conforms to the attached Technical Specifications                      PS STANDARD NO. JS 014:2016                      UNSPSC Code No. 47131619-MP-R01                      Dated: 12 January 2017</p> <p>*For Packaging and Marking/Labeling Requirements based from TSRC Resolution No. 19-005 dated November 20, 2019. Please see attached Annexes and in reference to Consumer Act RA 7394 Article 77 and 119</p>	<p><b>Brand:</b></p>

We commit to deliver the goods under the new packaging and consistent with the physical appearance and color of the sample submitted as required by the Procurement Service.

**I hereby certify that the statement of compliance to the foregoing technical specifications are true and correct, otherwise, if found to be false either during bid evaluation or post-qualification, the same shall give rise to automatic disqualification of our bid.**

Name of Company	Signature Over Printed Name of Authorized Representative	Date
-----------------	---	------

<sup>1</sup> Bidders must state here either "Comply" or "Not Comply" against each of the individual parameters of each Specification stating the corresponding performance parameter of the equipment offered. Statements of "Comply" or "Not Comply" must be supported by evidence in a Bidders Bid and cross-referenced to that evidence. Evidence shall be in the form of manufacturer's un-amended sales literature, unconditional statements of specification and compliance issued by the manufacturer, samples, independent test data etc., as appropriate. A statement that is not supported by evidence or is subsequently found to be contradicted by the evidence presented will render the Bid under evaluation liable for rejection. A statement either in the Bidder's statement of compliance or the supporting evidence that is found to be false either during Bid evaluation, post-qualification or the execution of the Contract may be regarded as fraudulent and render the Bidder or supplier liable for prosecution subject to the applicable laws and issuances.

