

- GENERAL NOTE:**
1. THE DETAILS OF POLES AND ANCHOR (MATERIALS, POLE DIAMETER AND WALL THICKNESS, PLATE SIZES) SHOWN ON THIS DRAWING ARE INDICATIVE ONLY
 2. THE CONTRACTOR SHALL BE RESPONSIBLE FOR THE DESIGN AND DETAIL OF 15m FLAGPOLE AND ANCHOR BOLT

Last modified by MARINDO-C8 / 31 Jul 2018
Filename: X:\Users\ACAD Shared\PRESENTATION\FLAG POLE STRUCT\SFUC\FPS-03

VER	DATE	DESCRIPTION

DEPARTMENT OF TRANSPORTATION
REPUBLIC OF THE PHILIPPINES

PHILIPPINE NATIONAL RAILWAYS

JICA
JAPAN INTERNATIONAL COOPERATION AGENCY (JICA)

DESIGN CONSULTANT

JICA DETAILED DESIGN STUDY TEAM

ORIENTAL CONSULTANTS GLOBAL CO., LTD.

KATAHIRA & ENGINEERS INTERNATIONAL

PACIFIC CONSULTANTS CO., LTD.

JAPAN INTERNATIONAL CONSULTANTS FOR TRANSPORTATION CO., LTD.

TONICHI ENGINEERING CONSULTANTS INC.

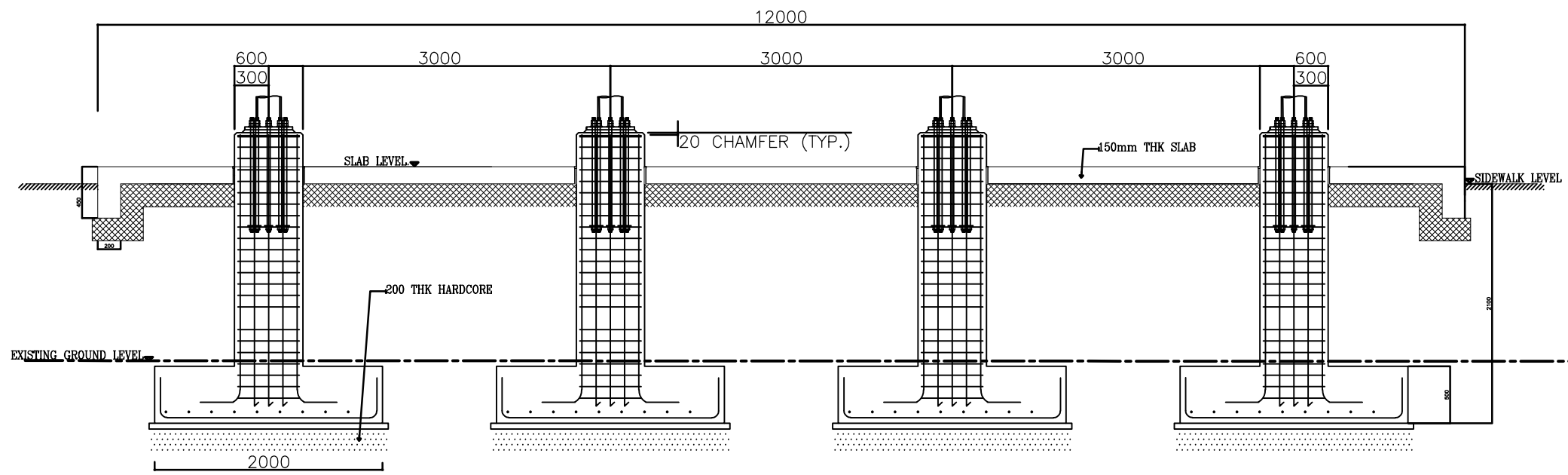
TITLE	JDT	SMEC
DESIGNER	-	-
CHECK	-	-
TEAM LEADER	-	-
PROJ. MANAGER	-	-

THE DETAILED DESIGN STUDY OF THE NORTH-SOUTH COMMUTER RAILWAY PROJECT (MALOLOS-TUTUBAN)

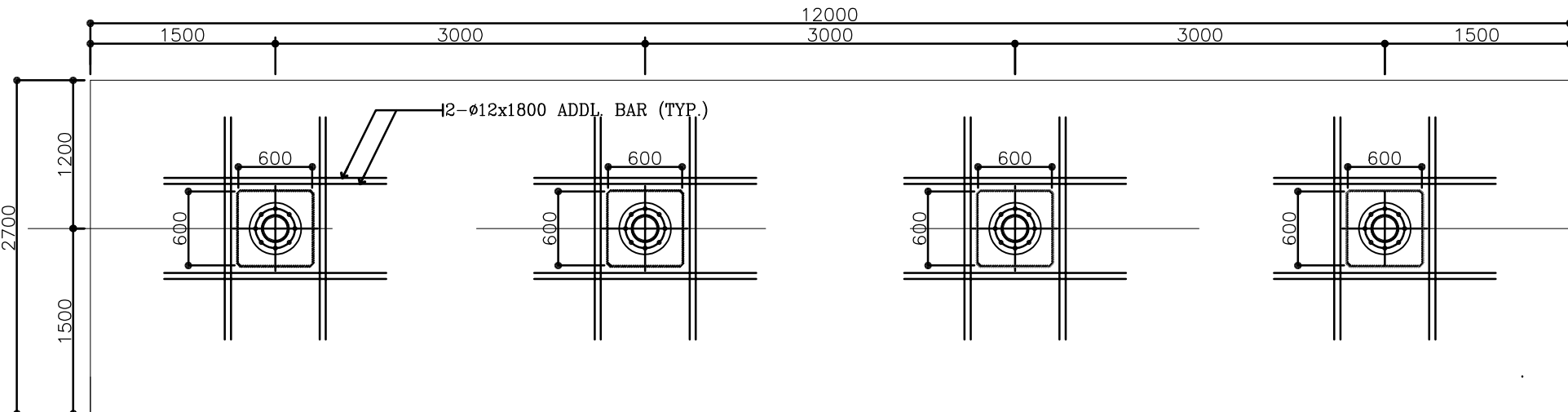
DETAILED DESIGN

**VALENZUELA DEPOT-
OCC BUILDING FLAGPOLE DETAIL
SHEET 1**

DATE	JULY 2018
SCALE	AS SHOWN
SHEET No.	
DRG No.	NSCR-DWG-OCC-ST-4523
DRG S.	REV



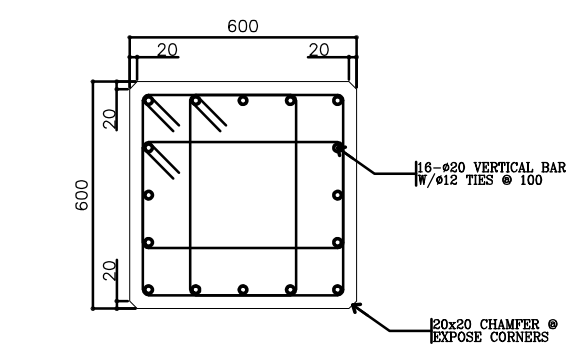
B LONGITUDINAL SECTION
OCC-ST-4524 SCALE: 1:250



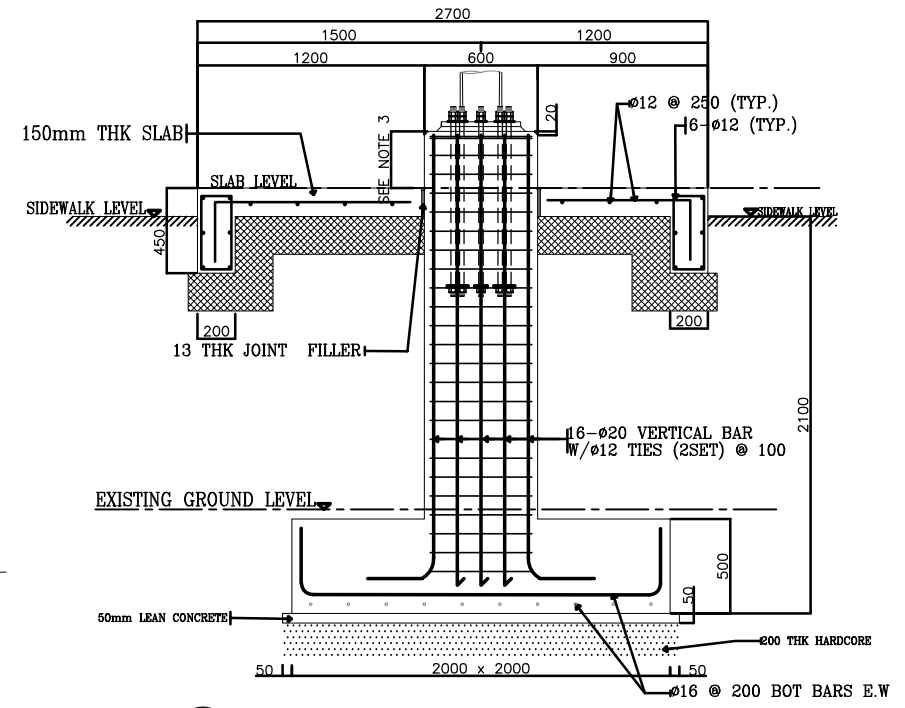
A FLAGPOLE SLAB PLAN
OCC-ST-4524 SCALE: 1:250

NOTE:

- FOR SLAB REINFORCEMENT, SEE DETAIL C.



D PEDESTAL SECTION
OCC-ST-4524 SCALE: 1:1



C FOOTING/PEDESTAL DETAIL
OCC-ST-4524 SCALE: 1:2

GENERAL NOTE:

- PEDESTAL & FOOTING CONCRETE STRENGTH $f_c' = 31\text{mpa}$
- REBAR SHALL CONFORM TO ASTM A615
Ø16 AND ABOVE = GRADE 414 ($f_y = 414\text{mpa}$)
Ø12 AND BELOW = GRADE 275 ($f_y = 275\text{mpa}$)
- FOR FINISH SLAB LEVEL, AND HEIGHT OF EXPOSED PEDESTAL SEE ARCHITECTURAL DRAWING






Last modified by MARINDO-C8 / 31 Jul 2018
Filename: X:\Users\CAD_Shared\PRESENTATION\FLAG POLE STRUCT\SFUC\FPS-03

VER	DATE	DESCRIPTION


 DEPARTMENT OF TRANSPORTATION
 REPUBLIC OF THE PHILIPPINES

 PHILIPPINE NATIONAL RAILWAYS

 JAPAN INTERNATIONAL COOPERATION AGENCY (JICA)

DESIGN CONSULTANT
JICA DETAILED DESIGN STUDY TEAM
 ORIENTAL CONSULTANTS
 GLOBAL CO., LTD.
 KATAHIRA & ENGINEERS
 INTERNATIONAL
 PACIFIC CONSULTANTS
 CO., LTD.
 JAPAN INTERNATIONAL
 CONSULTANTS FOR
 TRANSPORTATION CO., LTD.
 TONICHI ENGINEERING
 CONSULTANTS INC.

TITLE	JDT	SMEC
DESIGNER	-	-
CHECK	-	-
TEAM LEADER	-	-
PROJ. MANAGER	-	-

THE DETAILED DESIGN STUDY OF THE NORTH-SOUTH COMMUTER
 RAILWAY PROJECT (MALOLOS-TUTUBAN)
 DETAILED DESIGN
**VALENZUELA DEPOT-
 OCC BUILDING FLAG POLE DETAIL
 SHEET 2**

DATE	JULY 2018
SCALE	AS SHOWN
SHEET No.	
DRG No.	NSCR-DWG-OCC-ST-4524
DRG S.	REV