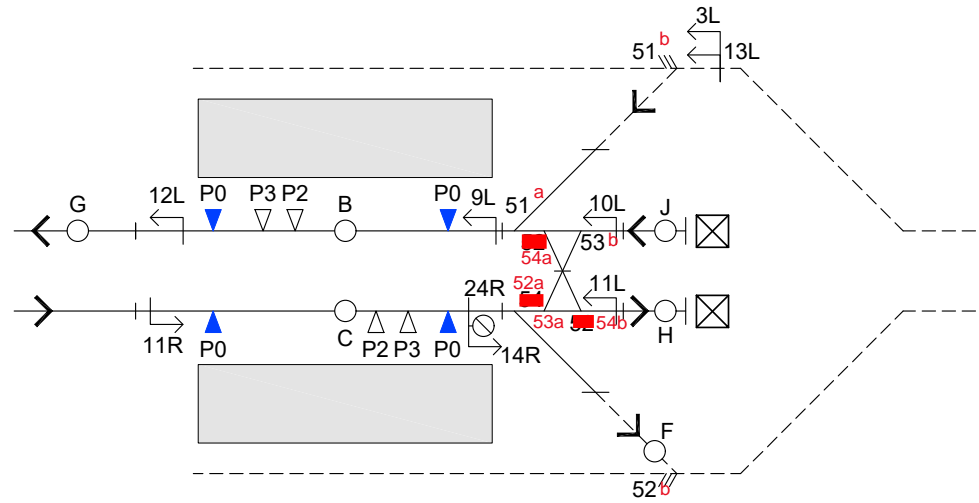


**Addendum**

**Volume III, Part 2, Section VI, d) Drawings**

**Bicutan Station**  
(27K891)



**LEGEND:**

- Beginning Point of Entrance and Departure Route
- Beginning Point of Shunting Signal
- Electronic Point Machine
- Track Circuit
- Block Section Between with Turnout Stations
- One Stop Sign Marker
- Buffer Stop
- End Point of Route
- Transponder for ORP
- Transponder for TASC with Power
- Transponder for Location Correction

**Route Table**

Route	Point Machine	
Entrance Route	11RC	-
	9LB	-
	13LB	51
Departure Route	12LG	-
	14RF	52R
Shunting Route	24RJ	52 53
	10LB	53 51 54
	24RH	54 53 52
	11LB	53 51 54R